

LVC-101G2 VGA Video Splitter

The Raritan LVC-101G2 VGA Video Splitter is an active 2-port VGA Video Splitter that allows two VGA monitors to display the same video source from a single PC. The LVC-101G2 supports analog video (1920 x 1200) for your maximum flexibility in adapting to your display requirements. Its video bandwidth is up to 350 MHz which supports up to 1920 x 1200 resolution. While splitting the video signals to multiple VGA monitors/Flat Panel Displays, the image quality is not degraded at all and stays crisp and clear throughout. The LVC-101G2 VGA Video Splitter will be your ideal solution for showroom and classroom presentations.

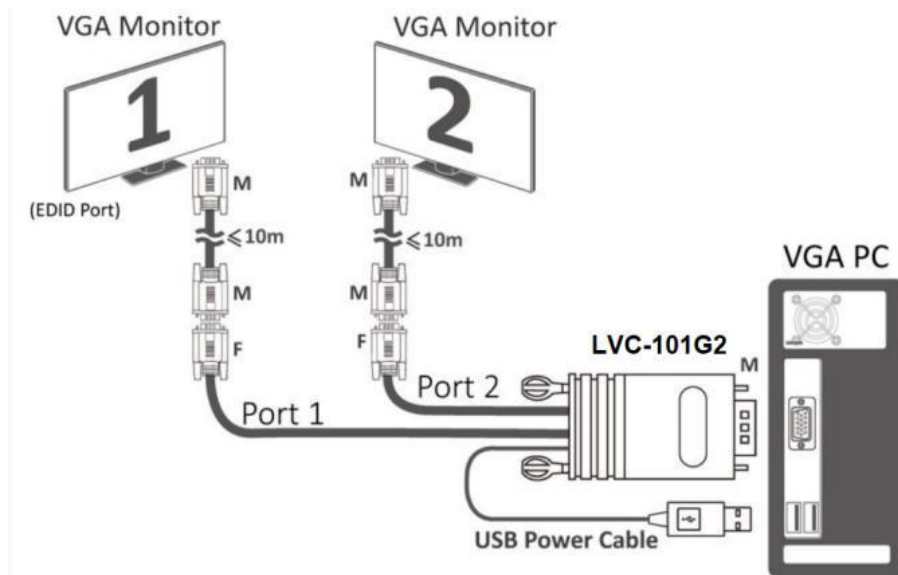


Features

- 2-port VGA Video Splitter
- Displays the same video source to 2 VGA monitors/Flat Panel Displays from a single PC
- Video bandwidth up to 350 MHz (analog)
- Supports up to 1920 x 1200 resolution
- Simultaneous monitor display
- Plug-and-play, no extra software needed

Specifications

- Video Input Connector: 1 x HDB15 VGA Connector (Male).
- Video Output Connector: 2 x HDB15 VGA Connector (Female).
- Display Resolution: 1920 x 1200 (analog).
- Recommended Monitor Cable Length: 10m.
- Housing: Plastic.
- Size: Dongle.
- Unit Dimensions (LxWxH), w/o cables: 50 x 32 x 18mm.
- Power: USB 5V.
- Safety / EMI: CE, FCC Certified.



Setup

You can set up two monitors to get the output using the LVC-101G2 VGA Video splitter. It is important to establish the first port (EDID Port) connection first to get the video output on second port, otherwise you will not see anything on second port.

► To setup the connection

1. Connect the VGA-video output of your computer to the LVC-101G2 with its attached VGA-input cable.
2. Connect the LVC-101G2's USB power cable to power ON.
3. Connect two VGA monitors to the LVC-101G2 with its attached VGA-output cables.

Note: Always connect the LVC-101G2's first port which is the EDID Port to the first VGA monitor at its lowest native resolution settings.

4. Once connected, the LVC-101G2 applies the setting of first VGA monitor on port 1 to port 2 for the second VGA monitor.